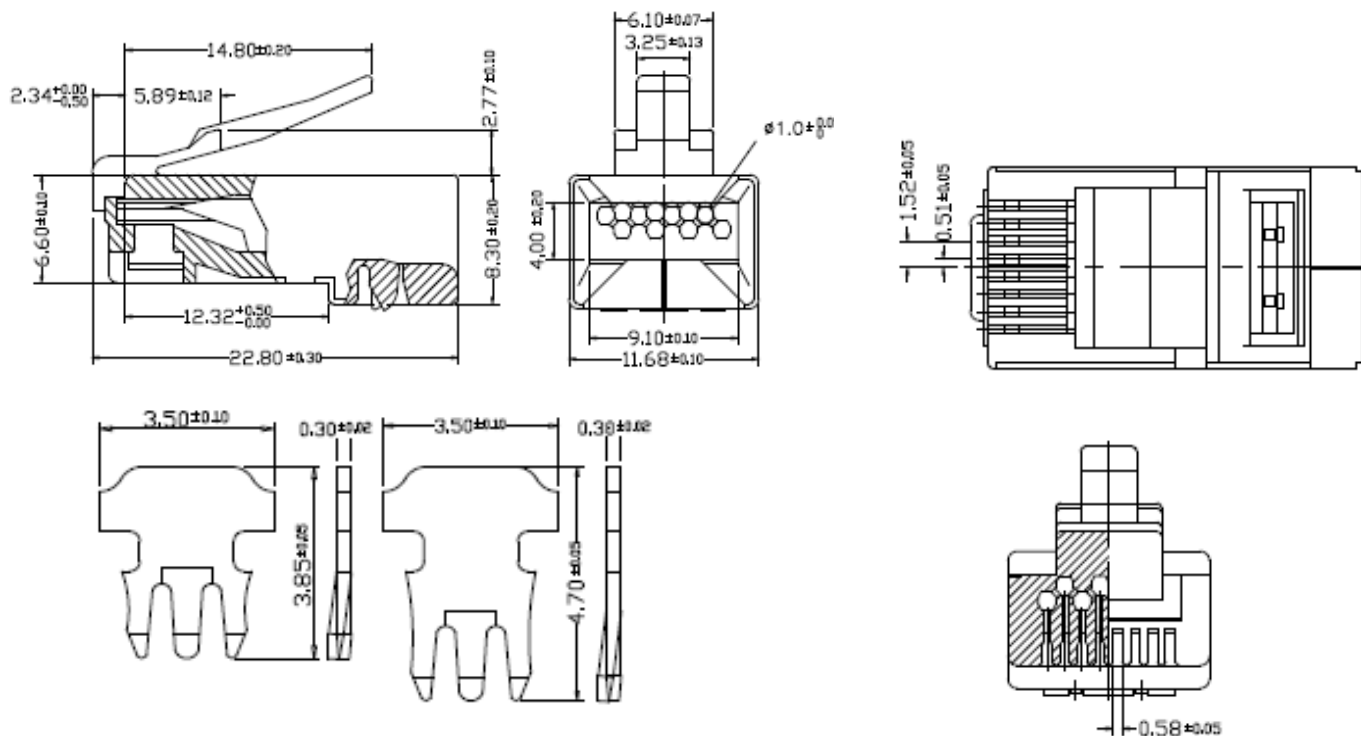


PRODUCT SPECIFICATION

P/N 106180 RJ45 (8P8C) Cat5e Shielded, High performance.
 Bulk unit, 100/Tray

- EIGHT CONDUCTOR SHIELDED INTERNAL GROUND
- CONDUCTORS WITH AN O.D. RANGE OF 0.034"-0.039"
- 24 AWG
- USES 0.30 mm (.012") CONTACT
- 3 PRONG CONTACT FOR SOLID CONDUCTORS ONLY
- MAX CABLE JACKET OD 0.260"
- RoHS & UL COMPLIANT



SPECIFICATIONS:

CONTACT MATERIAL:	PHOSPHOR BRONZE
CONTACT PLATING:	50 μ " GOLD
PLUG MATERIAL:	POLYCARBONATE UL94-V2
PLUG TOLERANCES/DIMS:	COMPLIES WITH F.C.C. REQUIREMENTS
OPERATION TEMPERATURE:	-40° C TO +70° C
FLAME AUTO EXTINGUISH	UL 94V-2
RoHS & UL COMPLIANT	

STANDARD PACKAGING: TRAYS OF 100 PCS.,